

**SILENTPIER**

# ECO 600S

New **Standard** of Silent Piling Technologies

## Silent Piler ECO600S

The Versatile Press-in Machine for 500 & 600mm wide U sheet piles



**GIKEN**



# ECO600S, The Versatile Press-in Machine for 500 & 600mm wide U sheet piles

## 500 & 600mm wide U sheet piles with 3 Different Press-in Modes

ECO 600S can install 500mm and 600mm wide U piles. Those piles have higher section modulus and more cost-effective characteristics than 400mm U pile. Furthermore, this model can adapt to various ground conditions and site constraints by selecting different penetration mode such as Standard Mode, Water Jetting Mode and Super Crush Mode.

**Applicable Ground Conditions**

Max. SPT-N Value	50	25	0
Range of SCU-600M	Range of SW100 (Water Jetting Mode)	Range of SW100 (Standard Mode)	

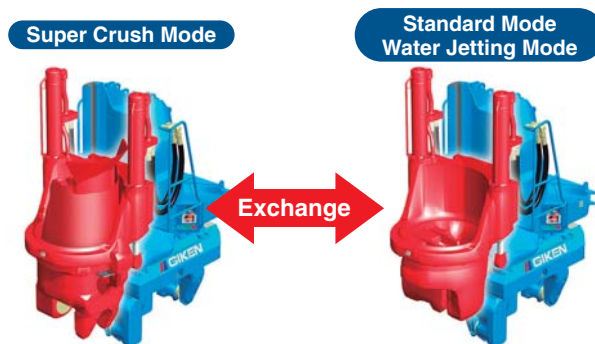
**Super Crush Mode**

**Water Jetting Mode**

**Standard Mode**

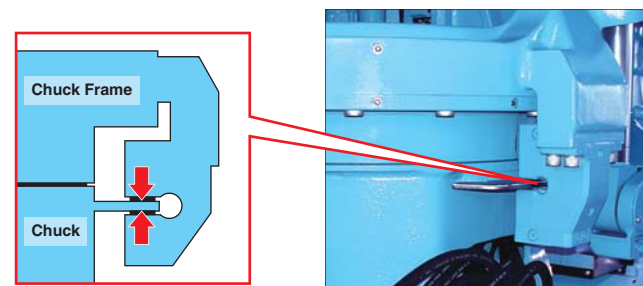
### Exclusive Chuck for the Best Productivity

ECO 600S can change the penetration mode by exchanging chuck related parts (Chuck, Chuck Frame and Main Cylinders).



### The Locking Function for Better Performance

The chuck rotation part of press-in machine main body is firmly fixed by the Chuck Locking Function. It enables to efficiently transfer the force of auger torque to increase augering capacity and improve piling quality.



## Outstanding Environmentally-Friendly Design (ECO STANDARD)

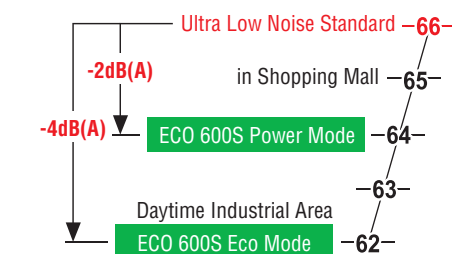
### New Power Unit with Adaptation to the Latest Emission Restrictions

The Power Unit of ECO600S is a new generation model and has environmentally-friendly specifications. It is designed with strict concepts for clean emission with high combustion efficiency and GIKEN's original hydraulic control technologies. It conforms to the latest exhaust emission standards EEC97/68EC Stage IIIA and EPA/CARB Tier 3.



### Surpassing National Standard by Ultra-Low Noise Design

The sound pressure level which is generated from the Power Unit is reduced to 62 dB when it is used under Eco Mode. It surpasses the Japanese national standard, 66 dB.



### Standard Application of Biodegradable Oil

The Piler Eco Oil and the Piler Eco Grease, which are designated for Silent Piler ECO Series, are applied. These are degraded by bacteria in natural environment. Hence, if hydraulic oil or grease is spilled to soil or water in any possibility, they will be no environmental damages to surrounding ecosystem. In addition, machines are painted with TX-Free non-leaded paint\*.

\* Environmentally-Friendly paint which does not contain toluene, xylene and lead based pigment



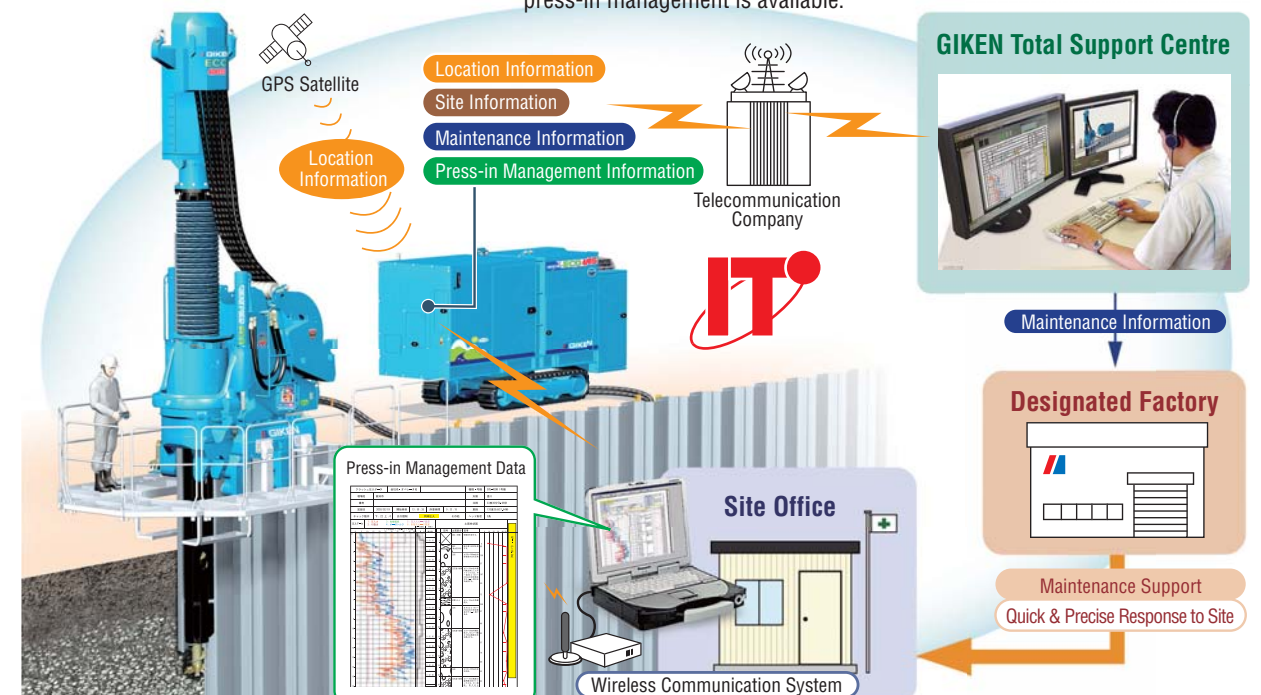
## Scientific Execution of Press-in Work & Advanced IT Functions

### GIKEN IT System

GIKEN's engineers can monitor machine conditions of individual Silent Piler such as operating situation, maintenance records and its location. Quick advises for any technical troubles are available promptly and appropriate information can be provided timely to prevent troubles as well.

### The Proof of Reliability, the Press-in Management System

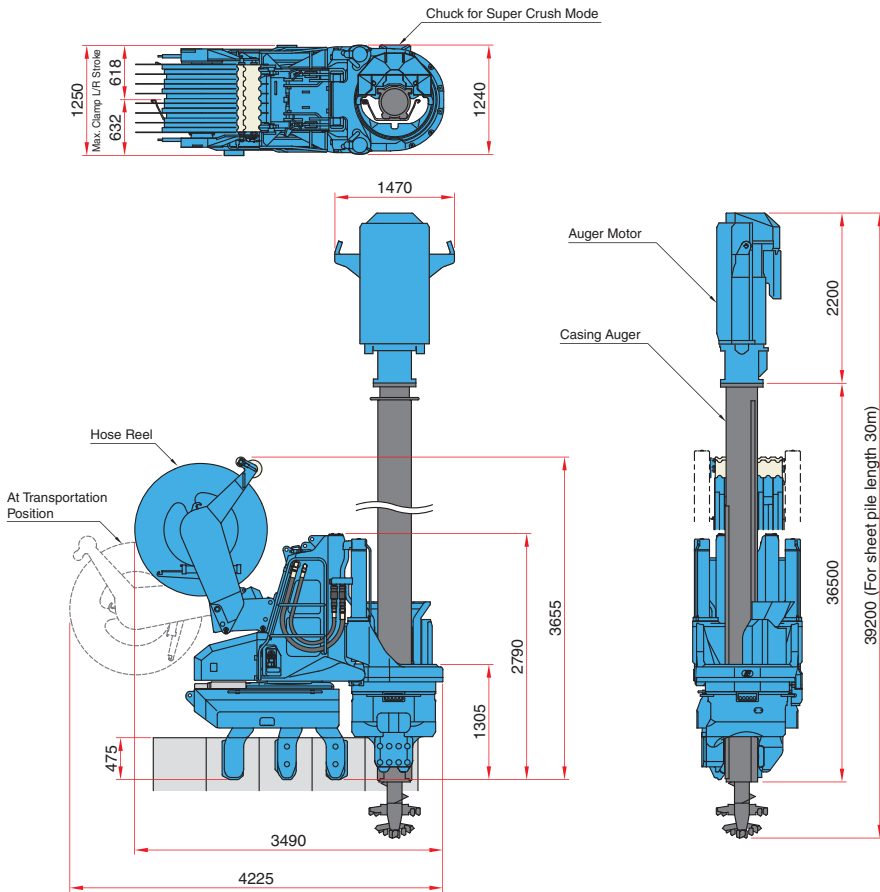
Press-in Management Data can be evidence of Press-in achievement to employers and main contractors, and can be proof of reliable and responsible piling works. With wireless communication system, such data can be exchanged between on site and off site. By shifting site management work from actual site, safe and precise press-in management is available.



## Super Crush Mode



### Silent Piler SCU-ECO600S



SILENT PILER	SCU-ECO600S
Applicable sheet piles	Japanese IIw - IVw, VL & VIL (Ask us consultations for other sections)
Max. Press-in Force	780 kN (Super Crush Mode) 980 kN (Standard / WJ Mode)
Max. Extraction Force	980 kN (Super Crush Mode) 1100 kN (Standard / WJ Mode)
Stroke	1000 mm
Press-in Speed	2.2 ~ 39.0 m/min
Extraction Speed	1.5 ~ 32.3 m/min
Control System	Radio Control
Movement	Self-Moving
Mass	Super Crush Mode (Main Body & Hose Reel) 13900 kg Water Jetting Mode (Main Body & Piler Jet Reel) 10680 kg Standard Mode (Main Body) 9900 kg

Pile Auger	PA10
Applicable pile length	Max. 30.0 m
Mass	Auger Motor 2000 kg Casing Auger 12400 kg (for 30.0 m)
Total Mass	14400 kg (for 30.0 m)

Hose Reel	HR15
Mass	3000 kg

Piler Jet Reel	JR22
Applicable pile length	Standard 17.0 m (Max. 27.0 m)
Mass	780 kg

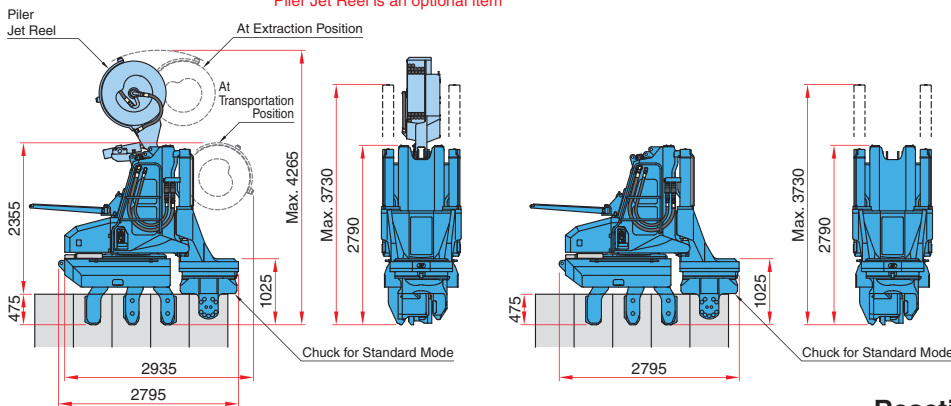
## Water Jetting Mode



## Standard Mode



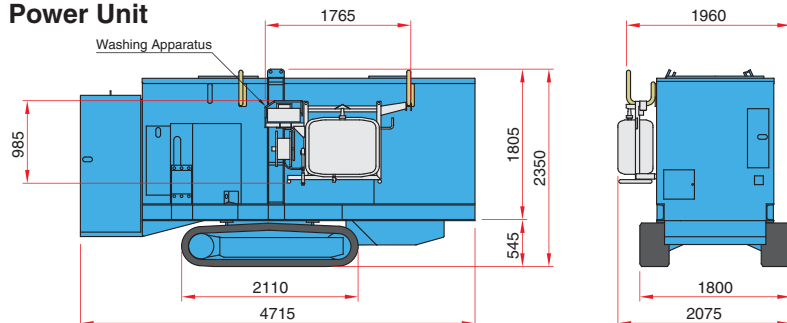
Piler Jet Reel is an optional item



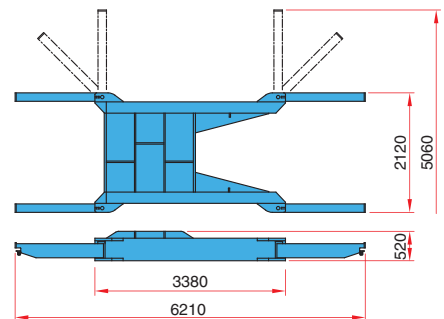
Power Unit	EU300F3
Power Source	Diesel Engine
Rated Output	Power Mode 230 kW (313 ps) / 1800 min <sup>-1</sup> Eco Mode 204 kW (277 ps) / 1600 min <sup>-1</sup>
Fuel Tank Capacity	500 L
Hydraulic Oil Tank Capacity	Piler ECO Oil 630 L
Moving Speed	1.4 km/h
Mass	8300 kg

Reaction Stand	
Mass	2000 kg

### Power Unit



### Reaction Stand



The above specifications are subject to alteration without prior notice.