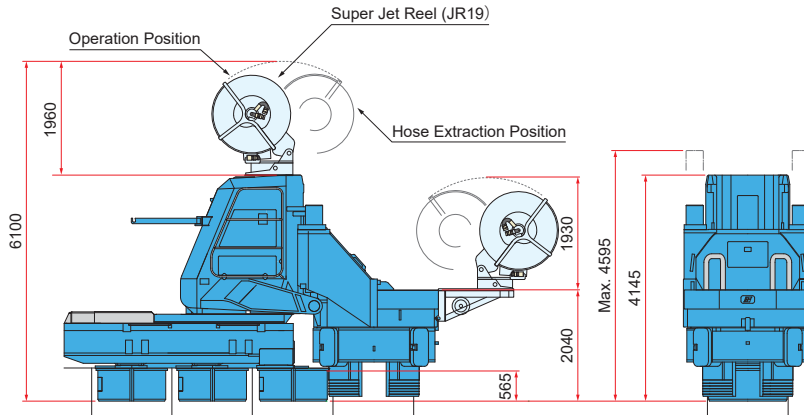
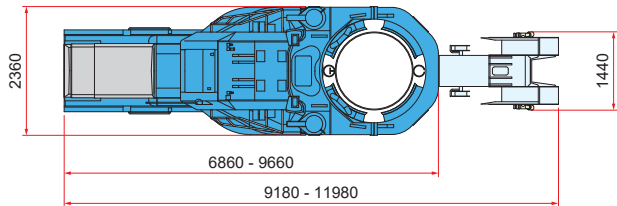


Tubular Piler PP400D



PP400D	Metric Unit	US Standard			
Applicable Piles	D 1300 - 1500 mm	D 51 - 59 in			
Max. Press-in Force	4,000 kN (408 t)	450 US ton			
Max. Extraction Force	4,150 kN (423 t)	467 US ton			
Stroke	1,000 mm	39.4 in			
Pressing-in Speed	0.9 - 14.8 m/min	3.0 - 48.6 ft/min			
Drawing-out Speed	0.6 - 10.2 m/min	2.0 - 33.5 ft/min			
Power Unit Type	EU500A3				
Weight	Silent Piler	63,750 kg	D1300 mm	140,543 lb	D51 in
		66,000 kg	D1400 mm	145,504 lb	D55 in
		66,000 kg	D1500 mm	145,504 lb	D59 in
	Super Jet Reel	1,800 kg	3,968 lb		

Specifications are subject to alteration without prior notice.