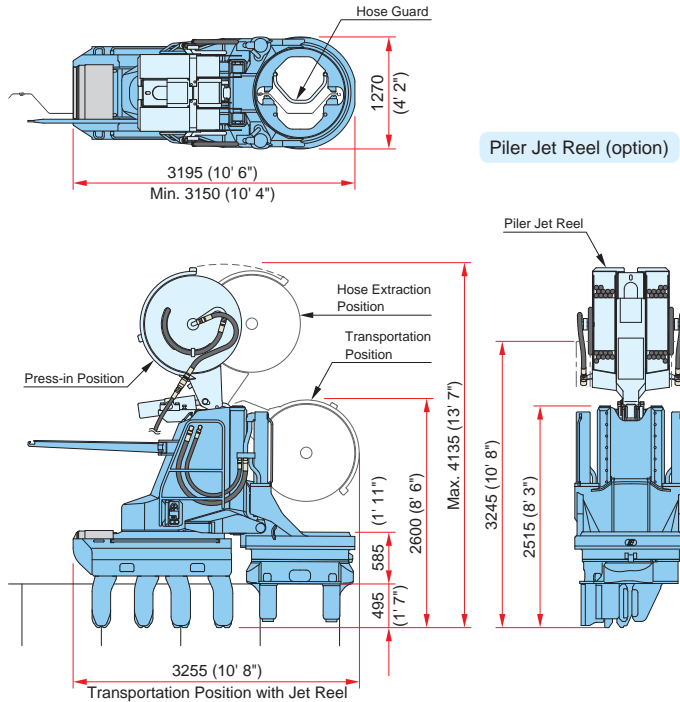


Silent Piler ECO900



ECO900	Metric Unit	US Standard
Applicable Piles *	900 mm	35.43 in
Max. Press-in Force	1 000 kN (102 tf)	112 tonf (US)
Max. Extraction Force	1 100 kN (112 tf)	124 tonf (US)
Stroke	800 mm	31.5 in
Pressing-in Speed	1.8 - 46.1 m/min	5.9 - 151.3 ft/min
Drawing-out Speed	2.6 - 52.0 m/min	8.5 - 170.6 ft/min
Power Unit Type	EU300B2 Crawler Unit	
Weight	Silent Piler	9 300 kg
	Piler Jet Reel	1 350 kg
Total Machine Weight	10 650 kg	23 500 lb

* Paired PZ27 is applicable as well as single 900mm hat piles.

Specifications are subject to alteration without prior notice.