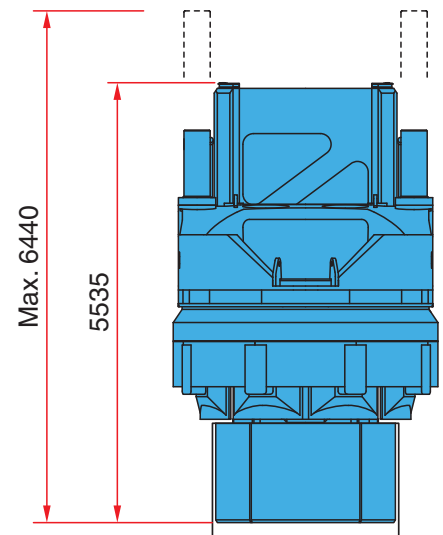
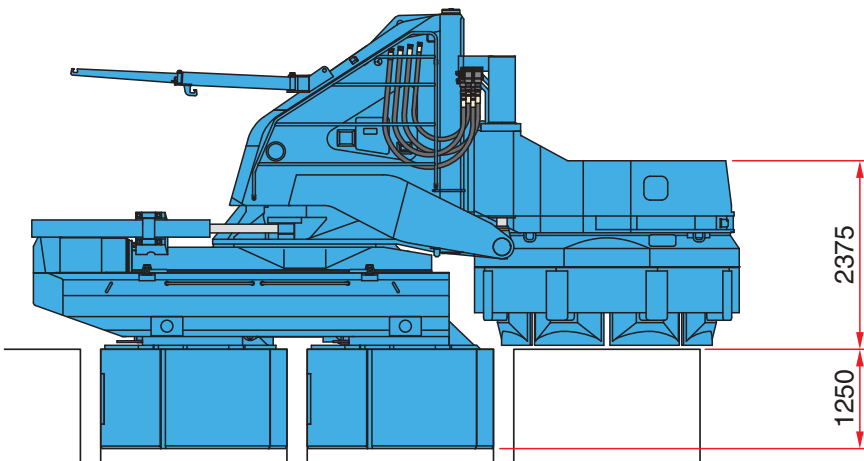
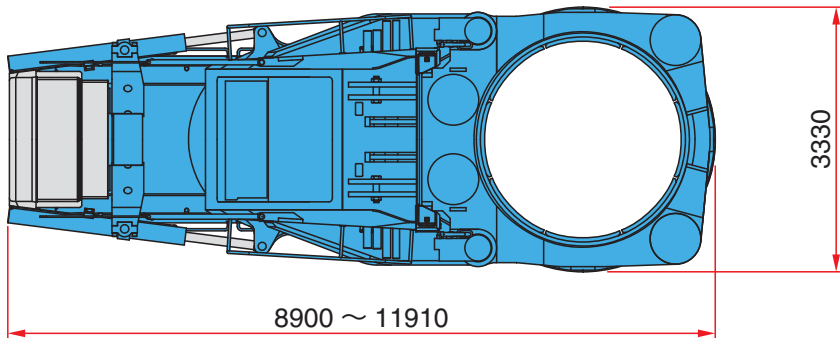


# GyroPiler GRV2540

**GYROPIER** GRV2540



Applicable Piles	Tubular Pile D2000 mm, D2500 mm
Max. Press-in Force	4 000 kN
Max. Extraction Force	4 000 kN
Stroke	1 500 mm
Max. Torque	2 940 kN·m
Max. Rotation Speed	3.9 min <sup>-1</sup>
Machine Weight	105 000 kg (for D2500 mm) 100 000 kg (for D2000 mm)
Power Unit Type	EU500C3

Specifications are subject to alteration without prior notice.